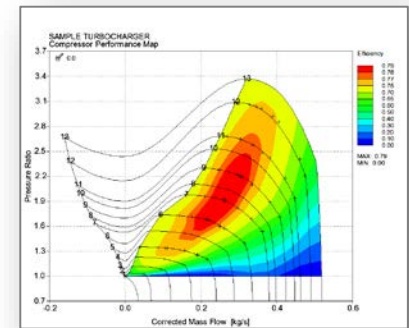
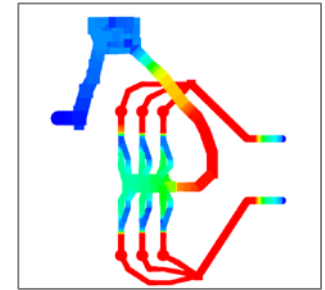
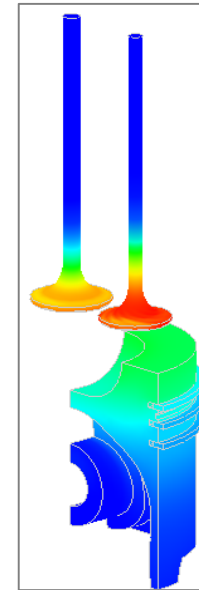
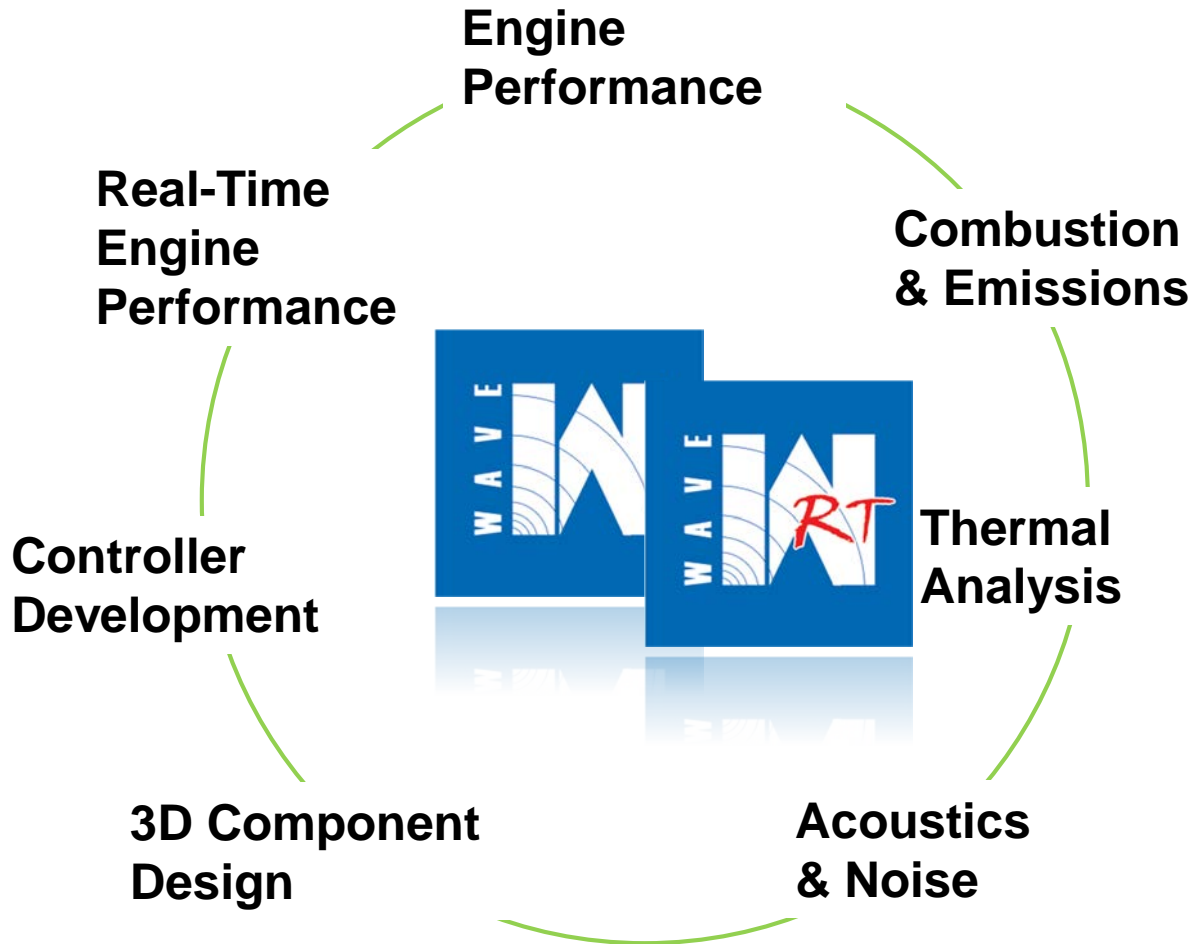


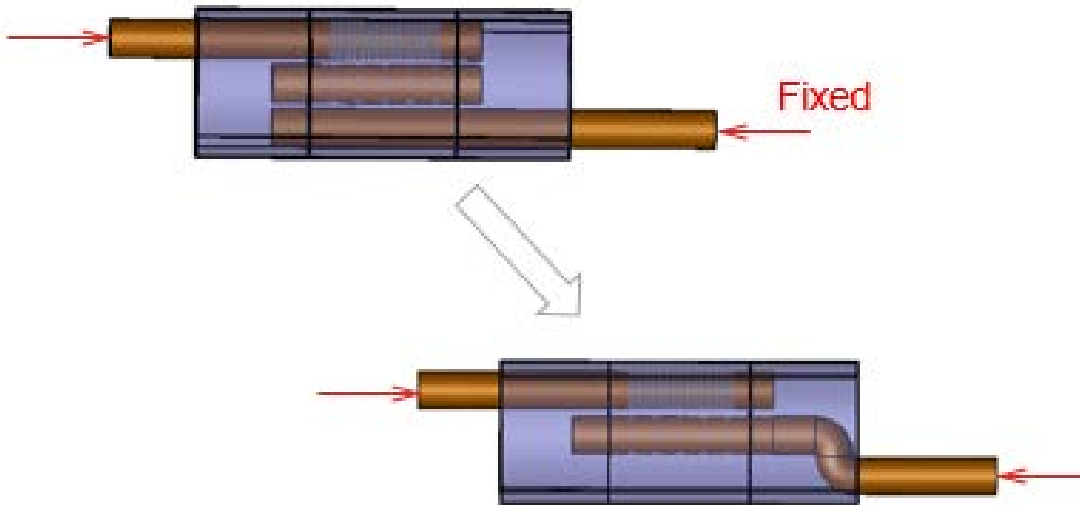
WAVE 2018.1 New Features



WAVE and WAVE-RT are 1D CFD analysis tools supporting engine performance and acoustic/NVH development



- WaveBuild3D Advanced Duct Operation & New Tutorial
 - **Split, Join** and **Swap** Tubes



usability and
documentation



- Advanced CAD Geometry Import
- Effective and quick import of “dead” STL and CAD (ProE, CATIA, STEP, IGES, ...) data to WB3D component, which can further be optimized
- **Importing a duct profile** from Skinning Tool and WaveMesher (*.csv)

